

PSLX Object Models in PSLX-V2-Part 3

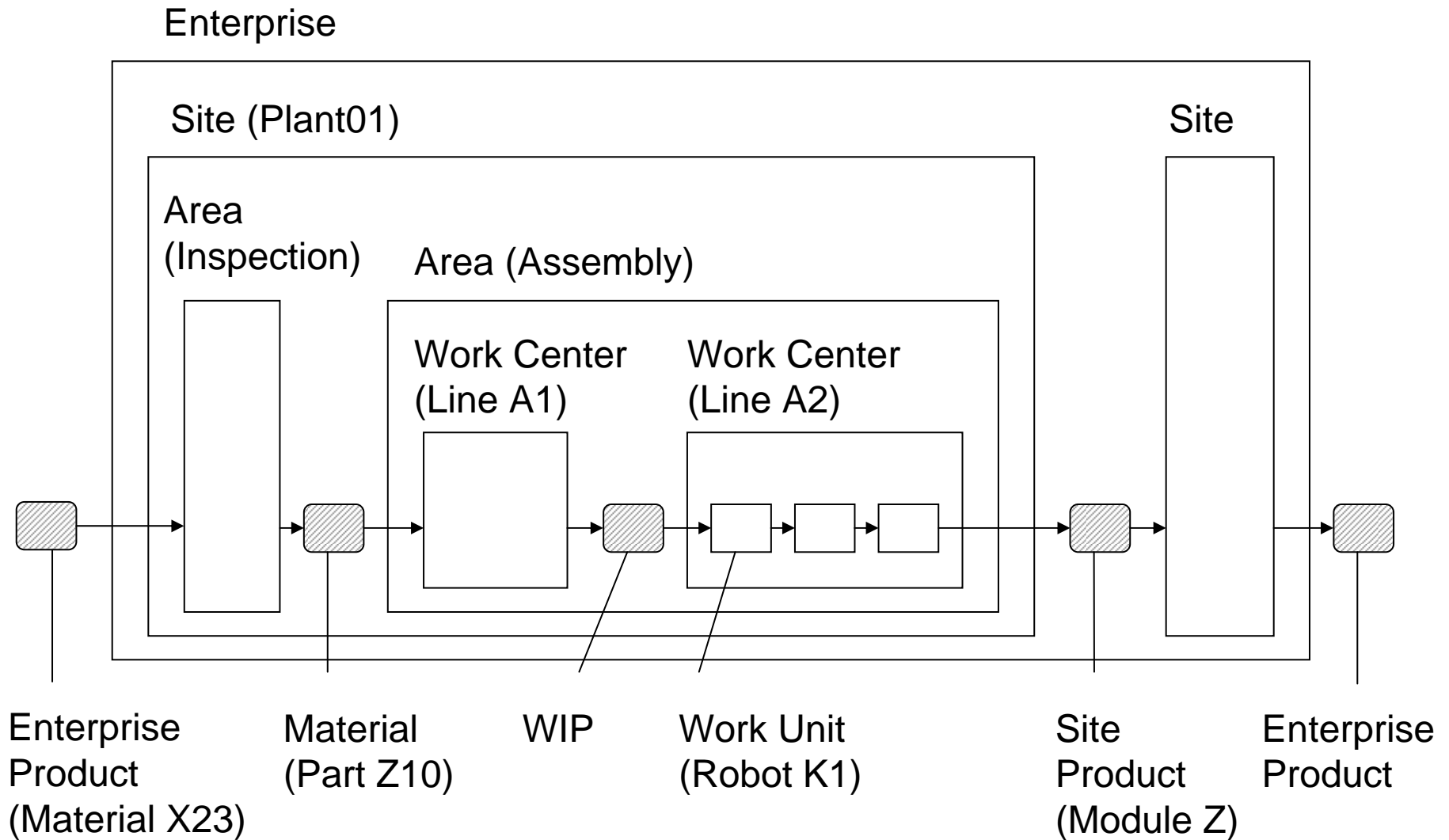
January 29, 2006

PSLX Consortium

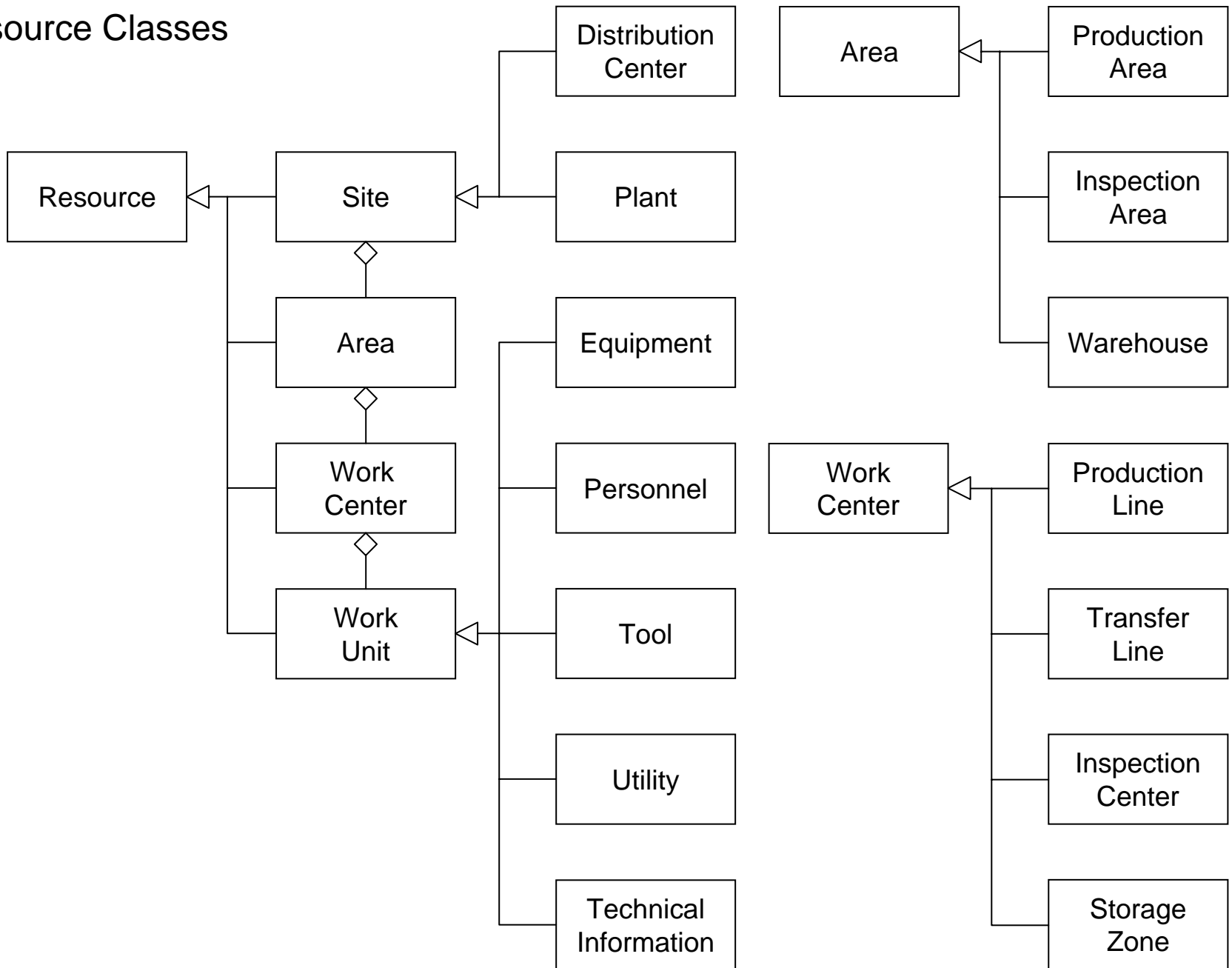
Object Hierarchy

Resource hierarchy	Process hierarchy	Product hierarchy	Order hierarchy	Routing hierarchy
Extended enterprise	Outbound SC	Final Product	Final Order	Logistics Routing
Enterprise	Inbound SC	Enterprise Product	Enterprise Order	
Site	Site Process	Site Product	Site Order	Site Routing
Area	Area Process	Material	Area Order	Area Routing
Work Center	Elementary Process	Static WIP	Work Order	Work Routing
Work Unit	Unit Process	Dynamic WIP	Execution Order	Unit Routing

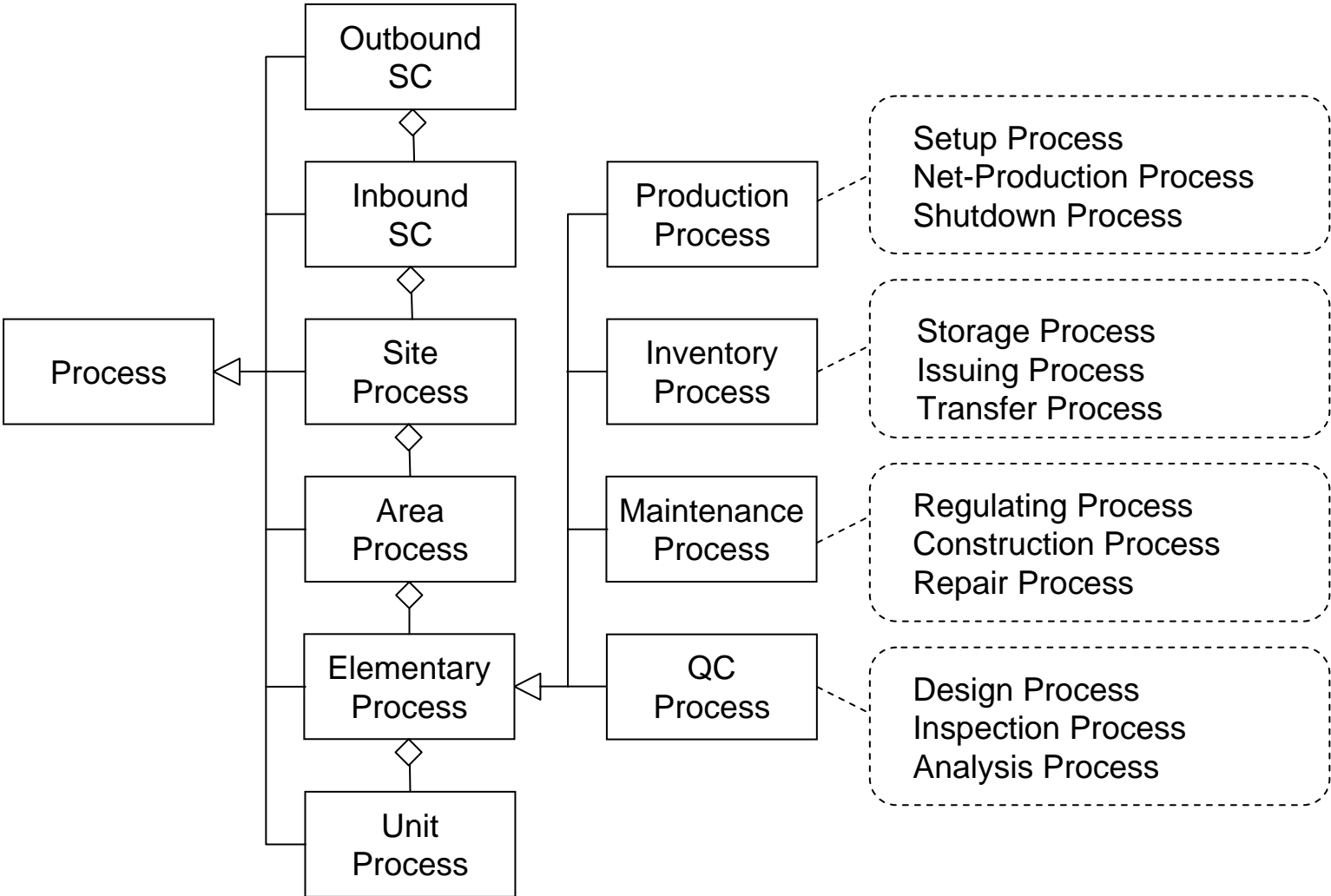
Examples of Object Hierarchy



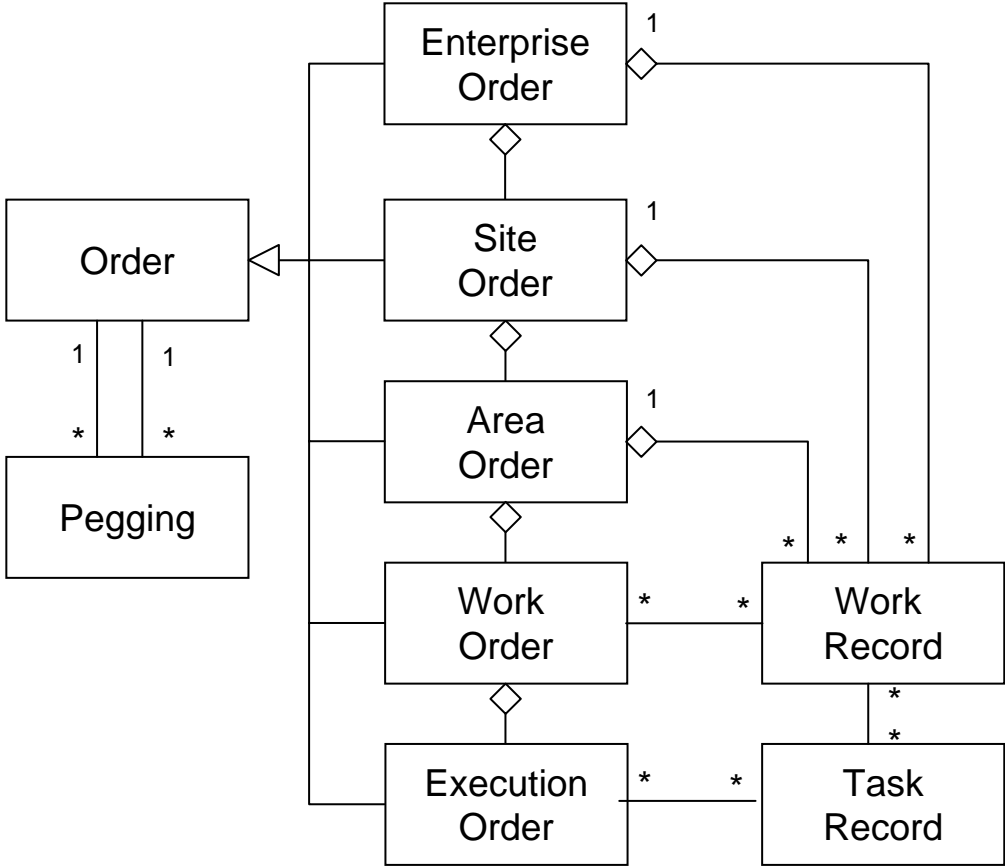
Resource Classes



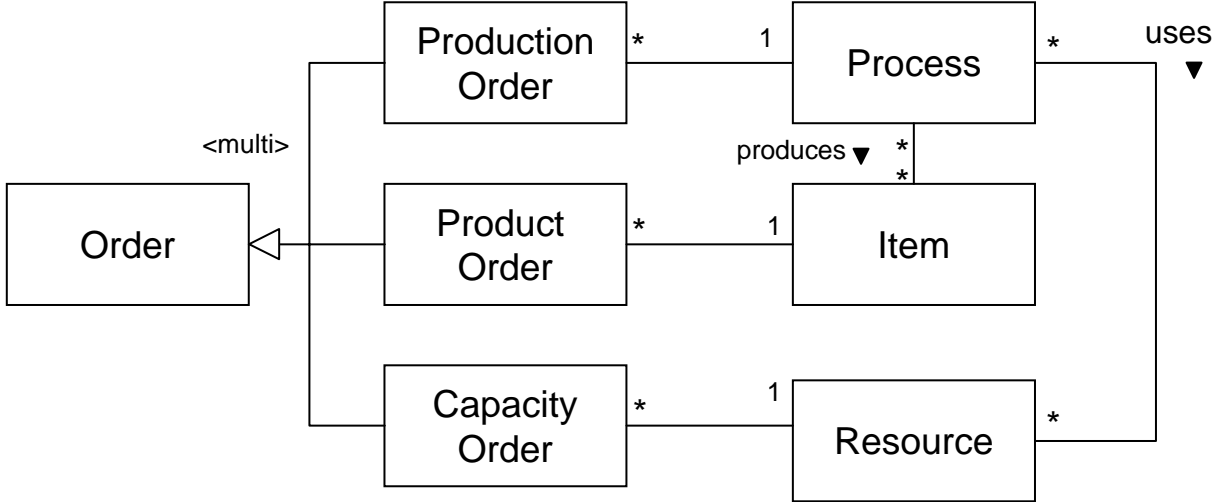
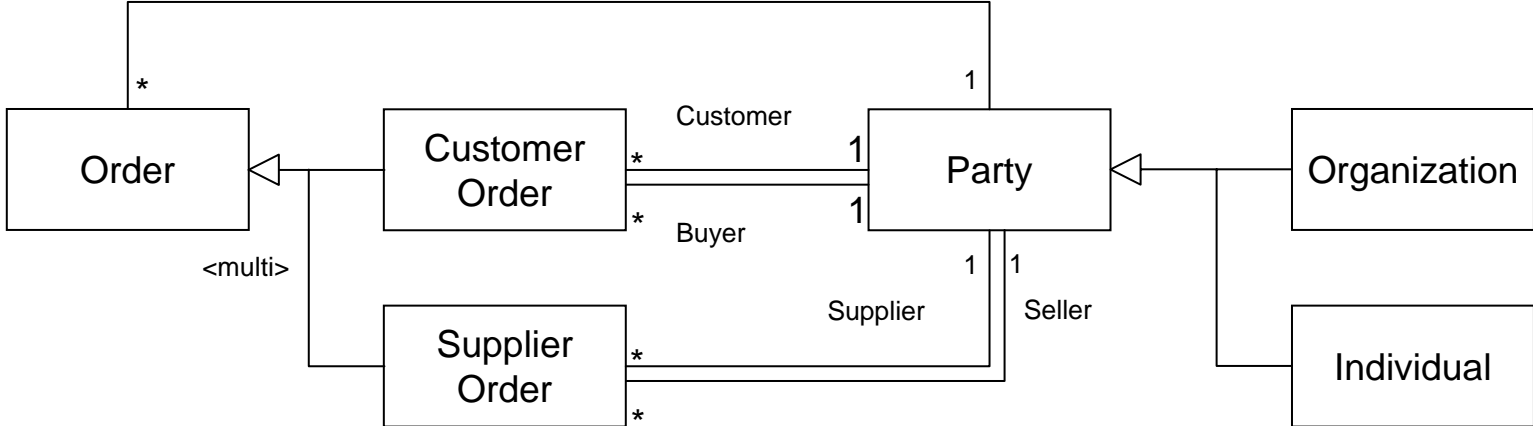
Process Class Hierarchy



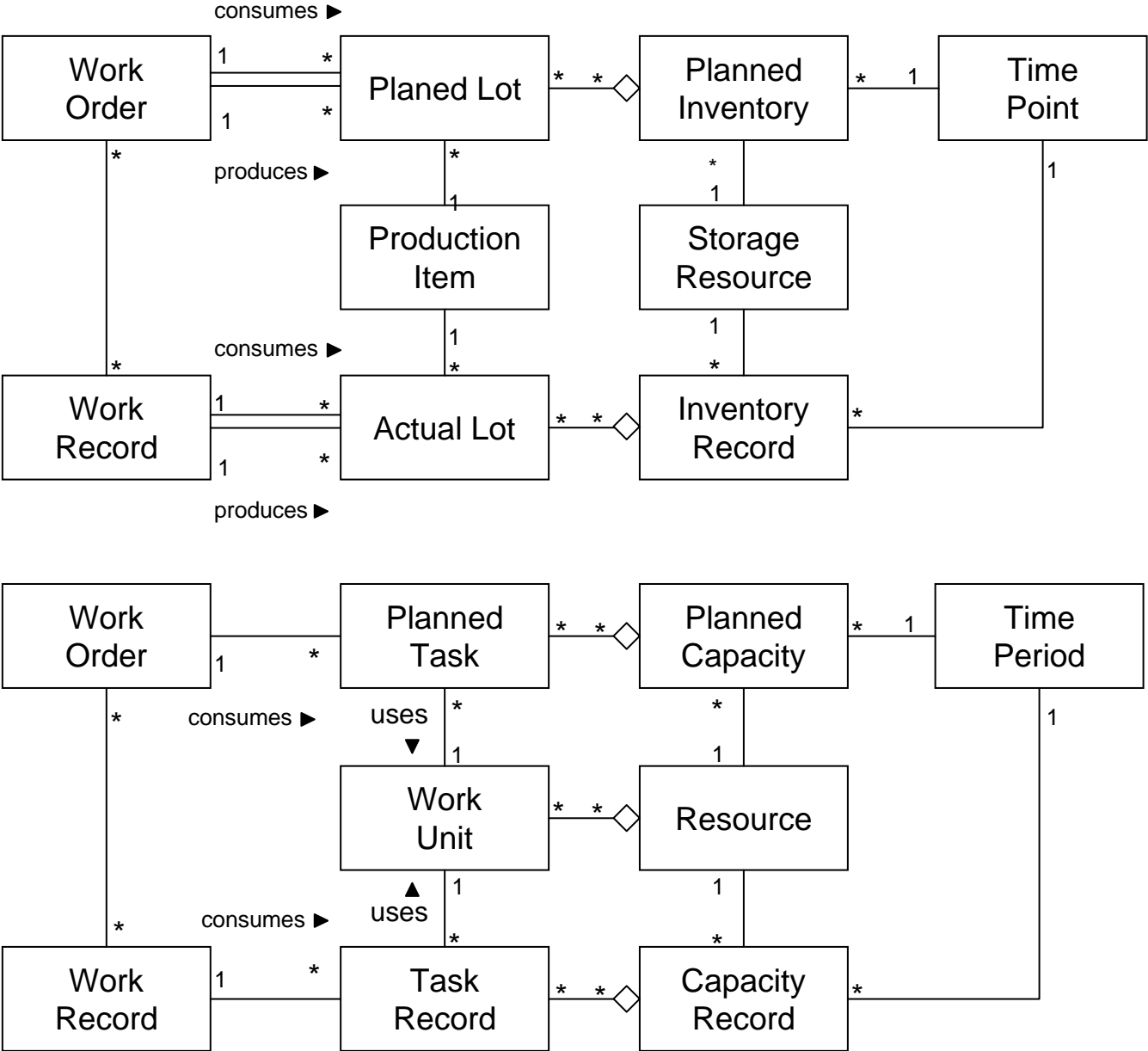
Order Class Hierarchy



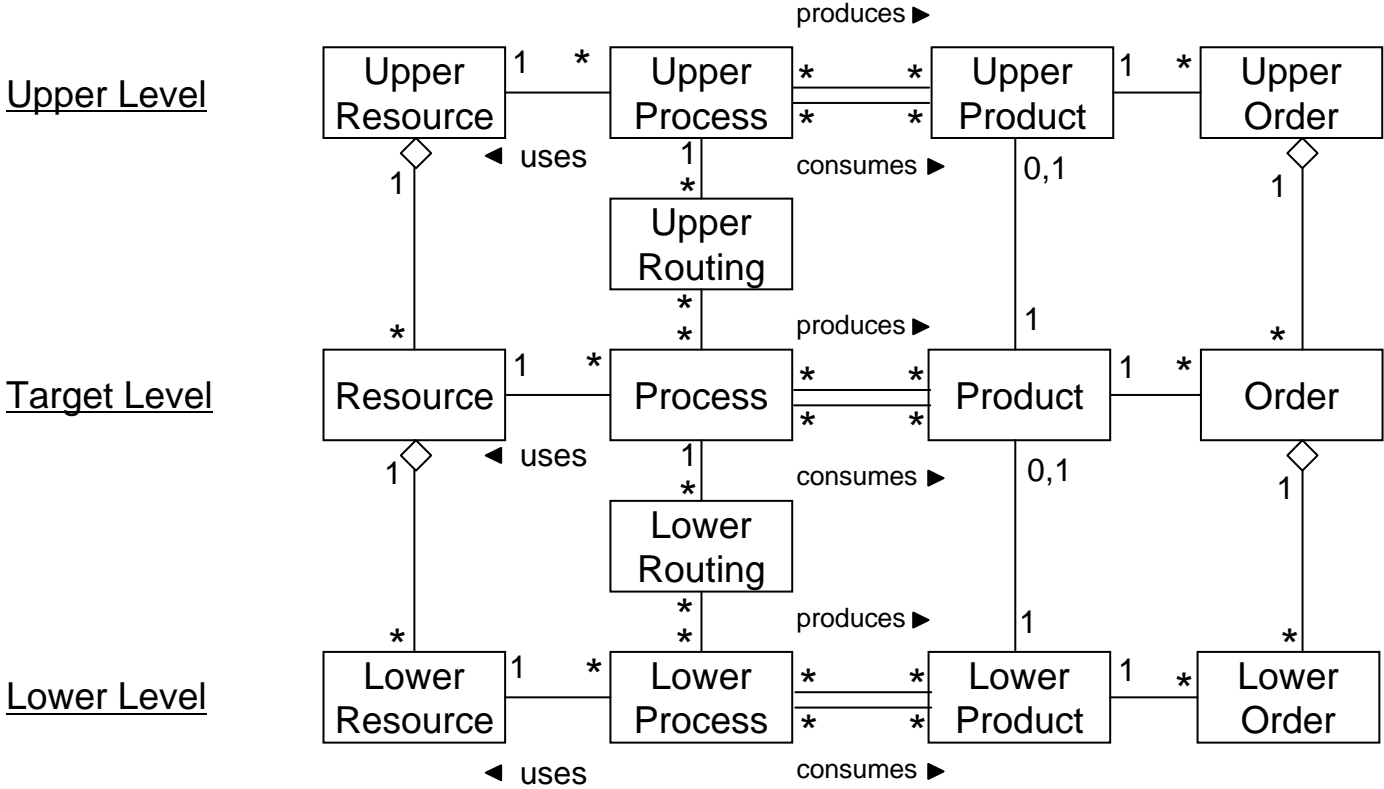
Order Subclasses



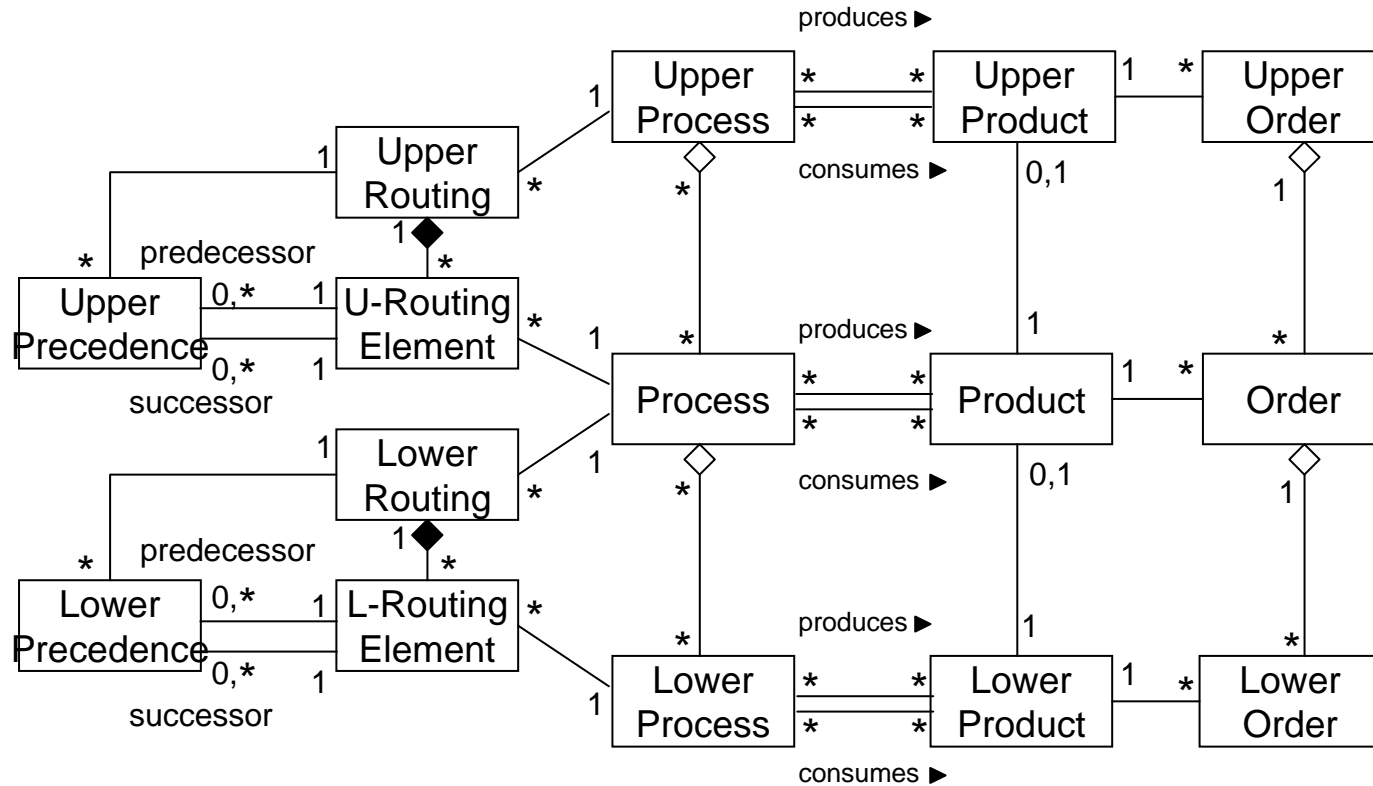
Lot-Inventory and Task-Capacity



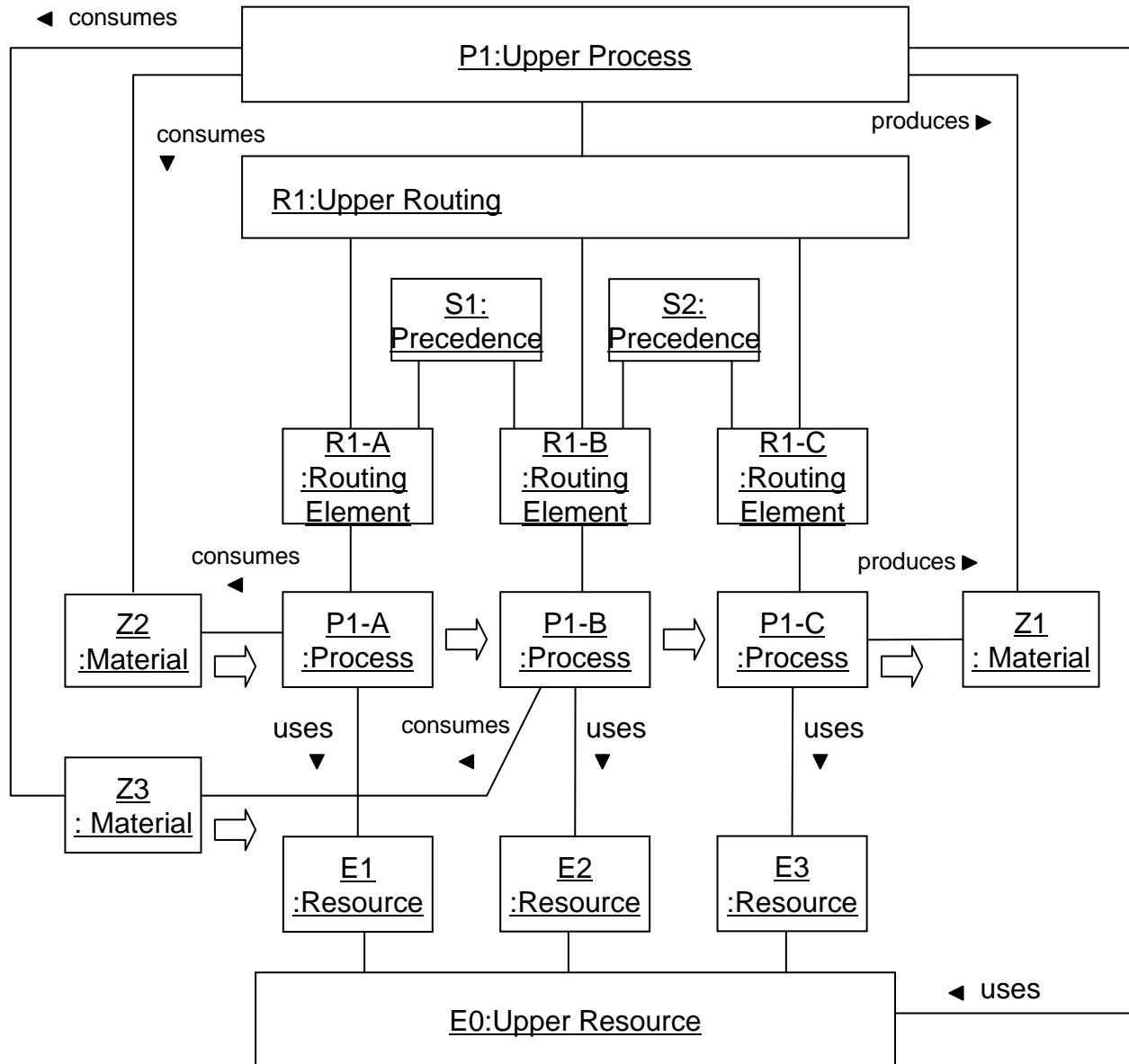
Class Hierarchy



Detailed Classes for Routing



Examples of Hierarchical Processes



Item Class and Structures

